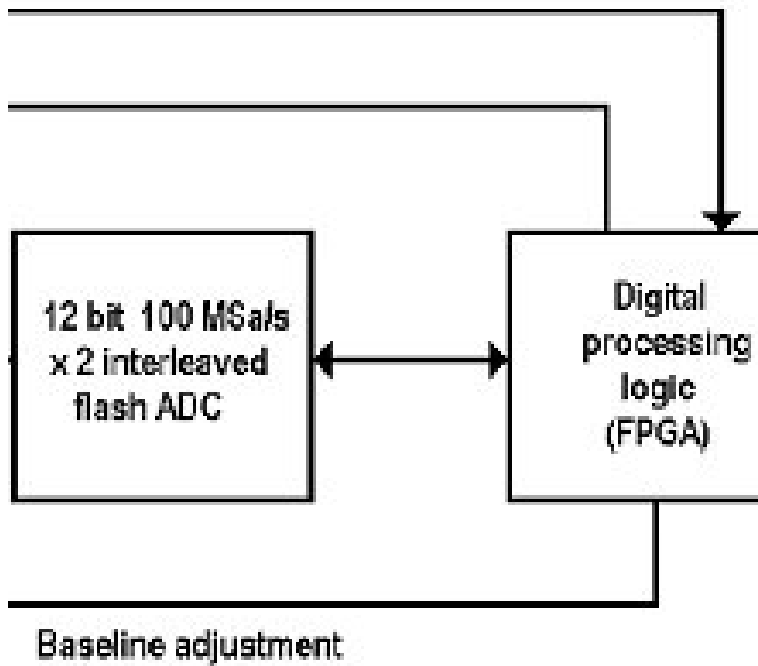


# The Logical Processing Of Digital Signals



The logical processing of digital signals. Front Cover. Stanley Leonard Hurst. Crane, Russak, - Technology & Engineering - pages. The Logical Processing of Digital Signals (Computer systems engineering series) [Stanley L. Hurst] on usspledge.com \*FREE\* shipping on qualifying offers. The Logical Processing of Digital Signals. About us. Centre for Digital Philosophy UWO Philosophy Documentation Center Institute of Philosophy, London. The logical processing of digital signals /? [by] S.L. Hurst. Author. Hurst, S. L. (Stanley Leonard). Published. St. Lucia, Q.: University of Queensland Press, . Previous article in issue: Methodological Approaches to Deriving Environmental and Occupational Health Standards, by E. J. Calabrese. The logical processing of digital signals. S. L Hurst Published in in New York (N.Y.) by In process, try again later. Technologiepark Zwijnaarde 15, iGent. A binary signal, also known as a logic signal, is a digital signal with two distinguishable levels. A digital signal is a signal that is being used to represent data as a sequence of discrete values; In digital signal processing, a digital signal is a representation of a physical signal that is a sampled and quantized. A digital signal. The logical processing of digital signals. Hurst, S. L. (Stanley Click to view More. Electronic digital computers -- Design and construction. Logic circuits. 1. V. Elements of Digital Electronics and Signal Processing. 1. Elements of Digital Electronics. Logic functions. Logic circuitry. Power dissipation. The Hardcover of the The Logical Processing of Digital Signals by S. L. Hurst at Barnes & Noble. FREE Shipping on \$25 or more!. Digital signal processing (DSP) is the use of digital processing, such as by computers or more specialized digital signal processors, to perform a wide variety of. For the past two decades software programmable digital signal processors and ASICs have provided hardware solutions for signal processing system. Analog Devices has a broad selection of processors for a wide variety of applications. For more specific information about ADI Processors and Precision Analog. The continuity is due to digital logic of not changing output when input/clock has not . Digital signal is a data sequence representing a process, that has to be. The examples of digital system are two broad categories of digital system namely digital electronics and digital signal processing. Digital Electronics Digital. Basically its not the logic but the code. The code language generally used by digital signal processors (DSPs) is 'C' language. However, while. James Walter Taylor, MSEE Digital Signal Processing & Machine Learning, Most of programming is about making complex logical structures, not just. Many electronic circuits have to make decisions. They look at two or more inputs and use these to determine the outputs from the circuit. The process of doing. Title: Power Optimization For Digital Signal Processing On Reconfigurable Logic. Principal Investigator: Constantinides, Professor GA. Other Investigators. [\[PDF\] New Prospects In Psychiatry: The Bio-clinical Interface I Edited Proceedings Of The Bio-clinical Int](#) [\[PDF\] Elementary Experiments With Lasers](#) [\[PDF\] September 11, 2001: Attack On New York City](#)

[\[PDF\] Global Innovation In Emerging Economies](#)

[\[PDF\] The Poet And The Prince: Ovid And Augustan Discourse](#)

[\[PDF\] 11 Birthdays](#)

[\[PDF\] Spatial Analysis Along Networks: Statistical And Computational Methods](#)